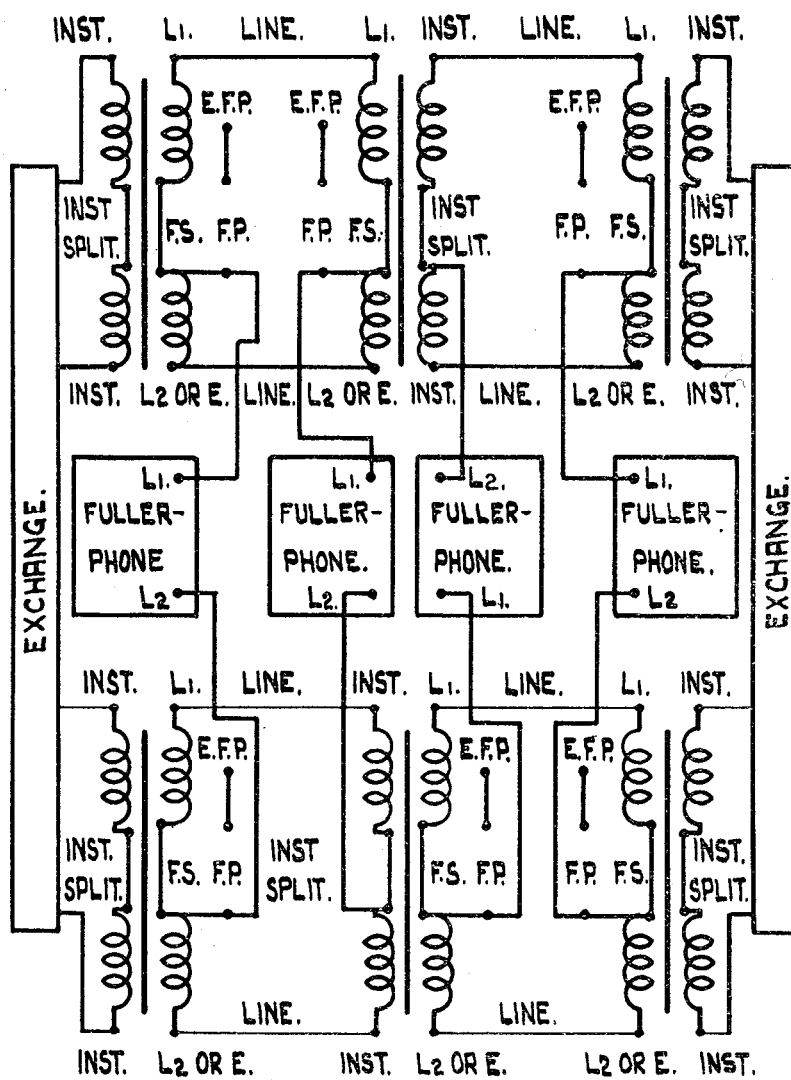


FIG. 9.—INTERMEDIATE FULLERPHONE CIRCUIT SUPERPOSED ON TWO TWIN LINES.



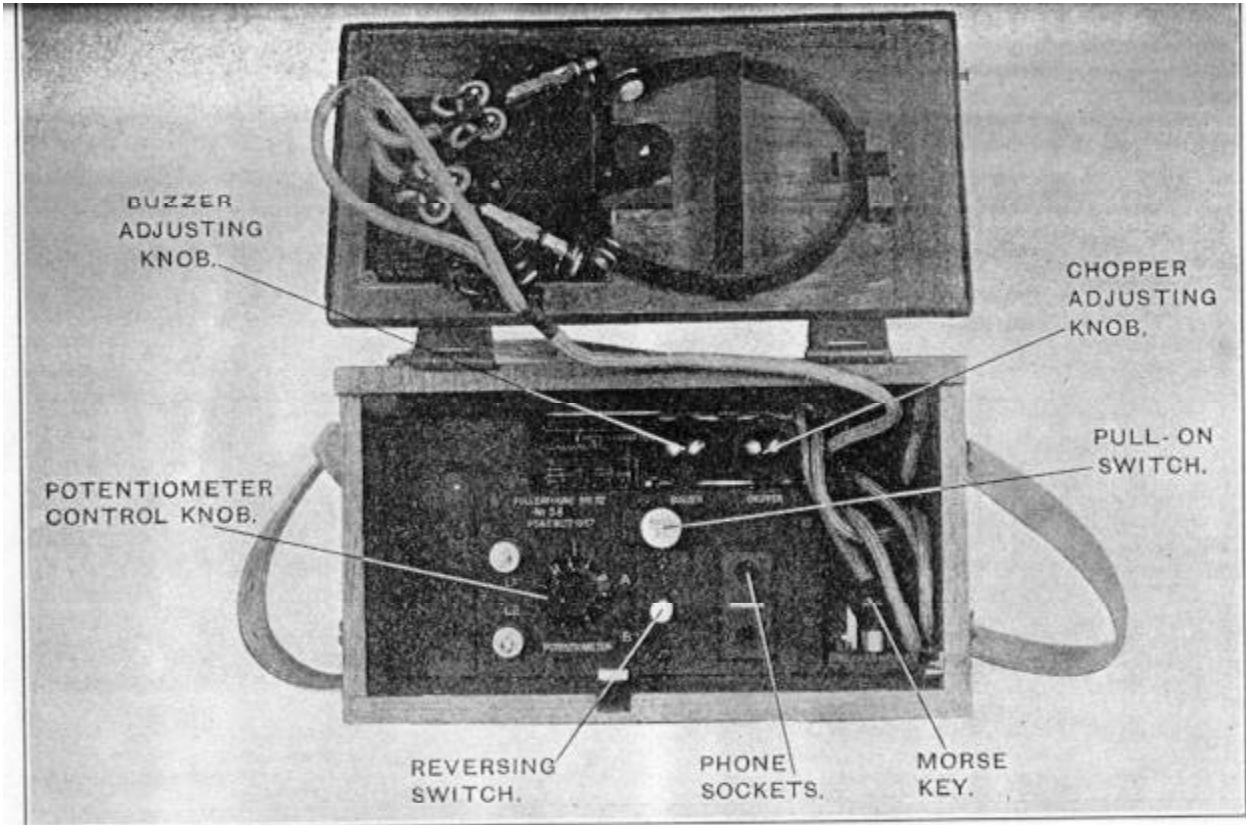


PLATE I.—FULLERPHONES, MARK IV.—FRONT VIEW, IN CASE.

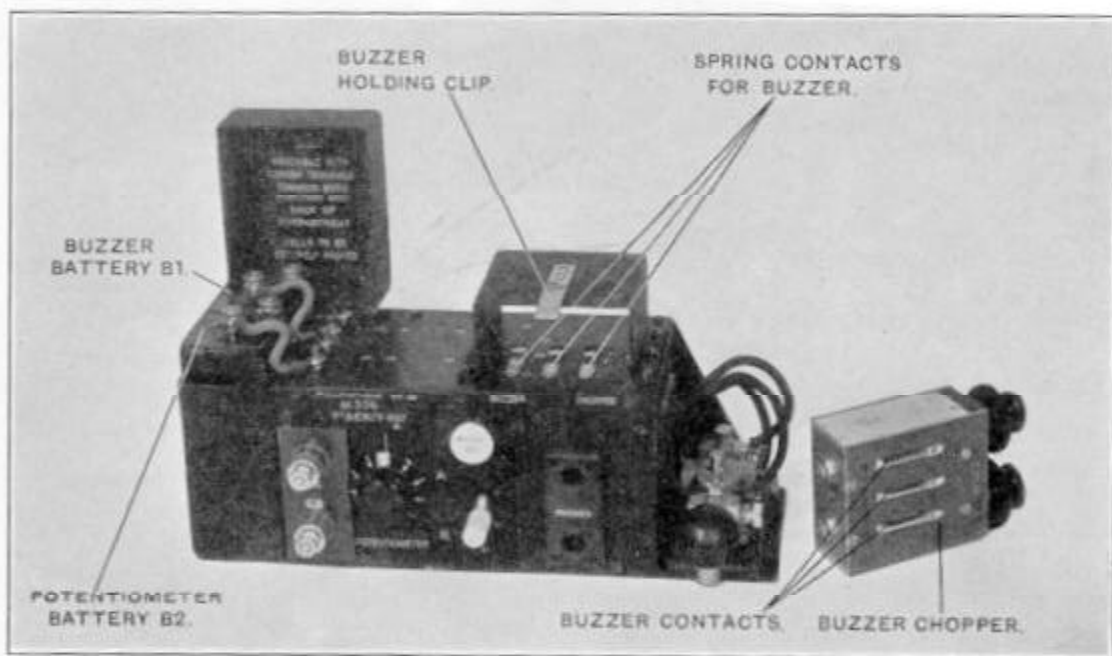


PLATE II.—FULLERPHONES, MARK IV.—WITHDRAWN FROM CASE,
BUZZER REMOVED.

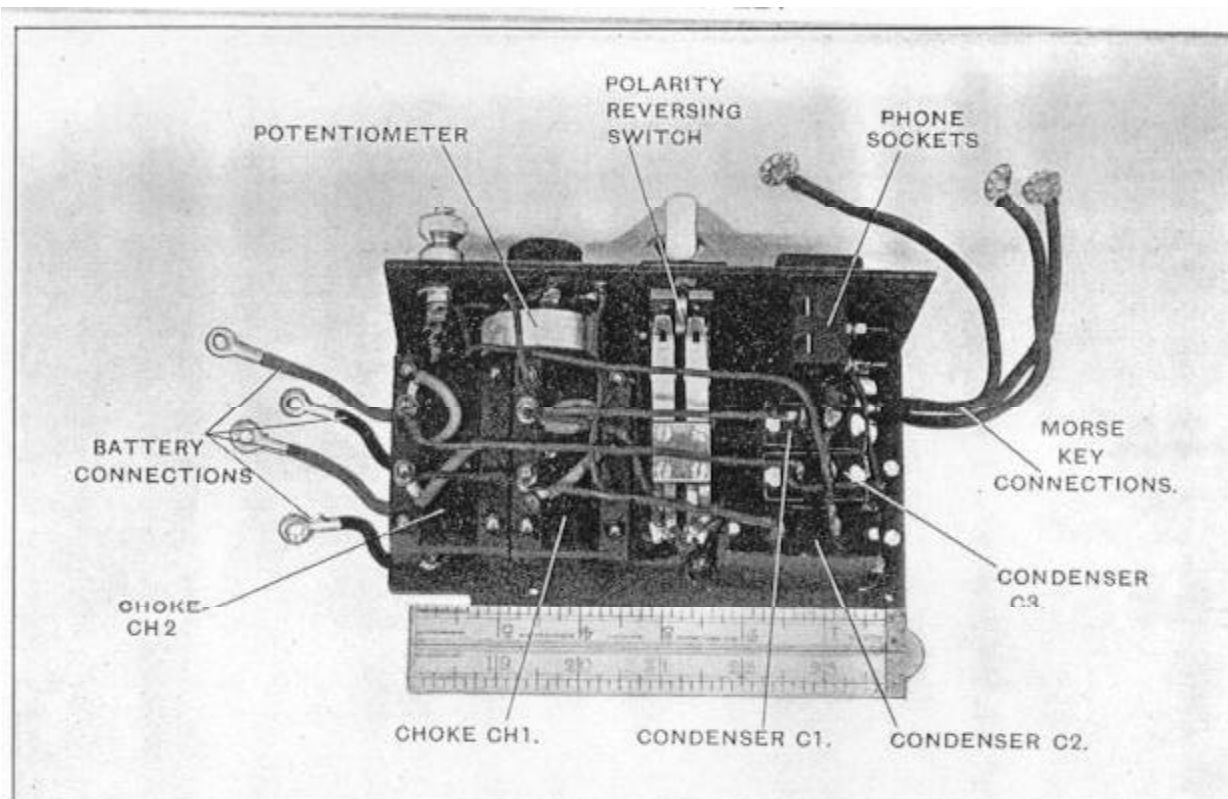


PLATE III.—FULLERPHONES, MARK IV.—INTERNAL VIEW, FROM ABOVE.