

15. Use of Potentiometer.

This is already described in the Technical Description, Section 8.

Normally it is not required and switch B should be left in the usual horizontal position.

16. Notes.

Fig. 10 is a wiring diagram showing the correct arrangement for the back of the instrument—compare Fig. 6.

Fig. 11 is a reproduction of actual oscillographs taken to prove the non-vibrating character of the line current and comparing this line current with that giving the received signal in the head receivers.

Fig. 11A shows the gradual rise of this line current. An excessive current (using 110 volts) was used to obtain sufficient current to operate the oscillograph.

Fig. 10.

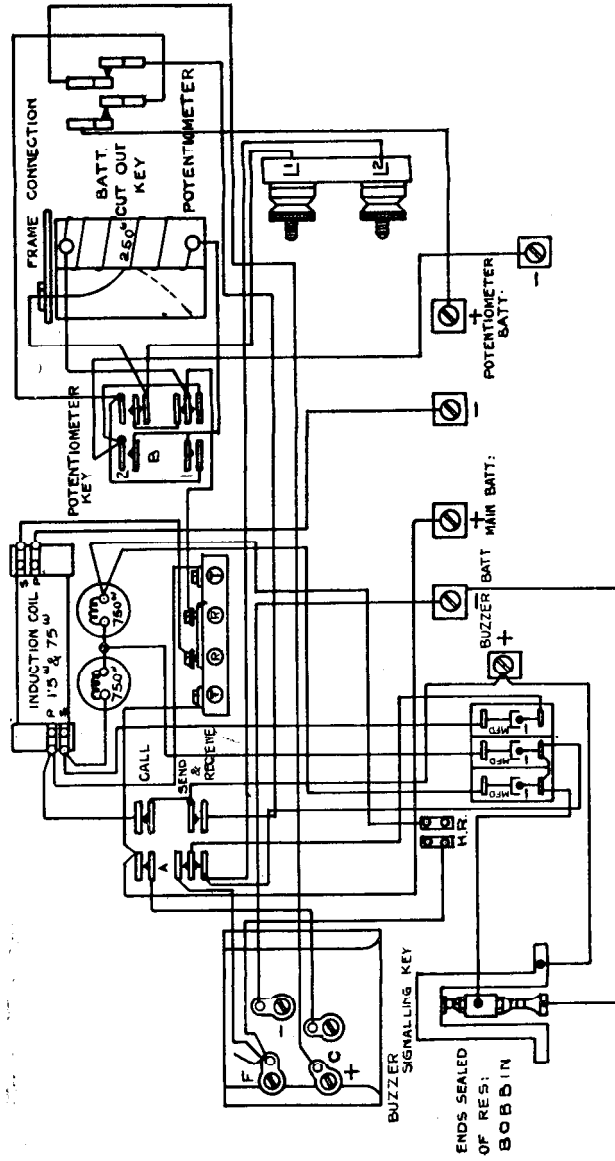


FIG. 11.

RECEIVER. (Normal Voltage.)



LINE (Normal Voltage.)



FIG. 11 (A).



LINE using excessive voltage, viz., 110 volts, to show shape of current.

APPENDIX.

LIST OF COMPONENT PARTS AND NOMENCLATURE TO
BE USED WHEN DEMANDING FROM R.A.O.C. STORE.

SECTION No. 29A.

Fullerphones, Mark III*.

Coils—

Choke.
Induction.

Condensers.

Keys, signalling.

Knobs.

Potentiometer.

Plates, contact, battery.

Switches—

Call and receive.
Potentiometer.
Battery, cut-out.

Spare parts. (Sets).

Buzzers—

F. (Formerly known as Fullerphones, Mark III, vibrators).

Cells, electric, inert, S. (Sect. No. 28B).

Cords—

Telephone—

Hand, D, Mark III.

Headgear, double.

Jacks, No. 2A (Formerly known as Fullerphones, Mark III,
sockets, 4-way.)

Plugs—

No. 406. (Formerly shown as Fullerphones, Mark III,
plugs 4-pin.)

Receivers—

Headgear—

E, double.

or

W, double.

Watch—

W—

No. 2.

Reeds, contact—

D.

Screws—

Clamping, D.

Contact, D.

Slings, carrying instruments, or carrying strap (to be repaired locally).

Springs—

Snap.

Contact, bty.

Positive.

Negative.

Telephones—

Hand—

D, Mark V.

Wires, electric, Q.6. (18 inches). (Sect. No. 28.B.).

NOTE.—In the field, when repairs cannot be carried out by instrument repairers with units, it is usually desirable to demand a new complete instrument in exchange for a damaged one. Parts not mentioned above are not considered necessary for R.A.O.C. to stock, and therefore should not be demanded.