

FIG. 1.—FULLERPHONES, MARK IV.
CIRCUIT DIAGRAM.

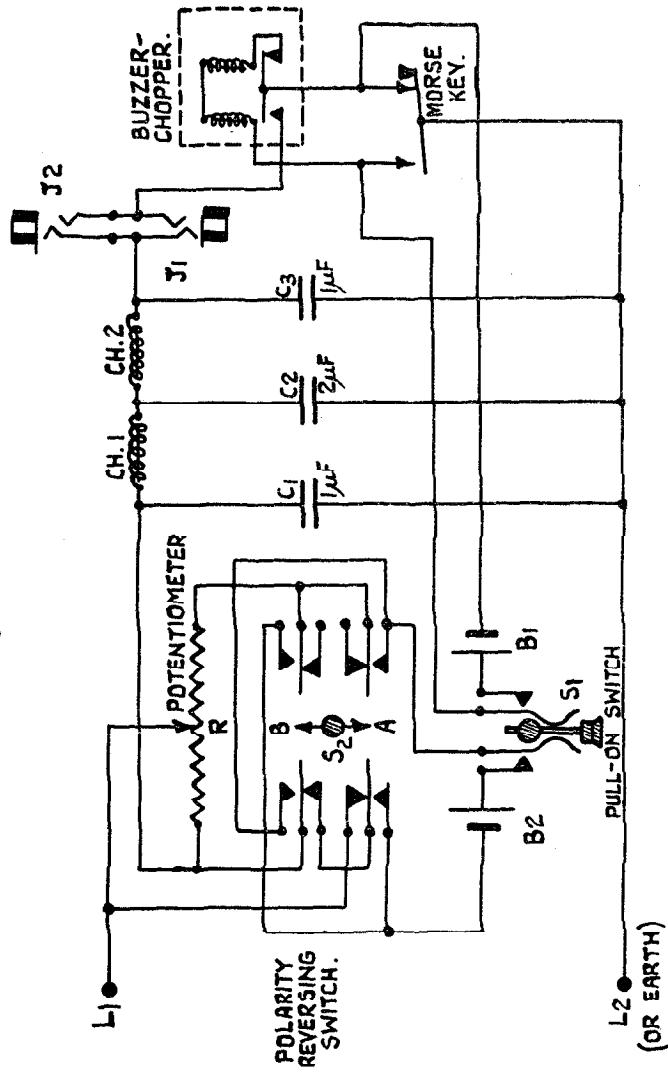


FIG. 2.—TWIN LINE, OR SINGLE LINE AND EARTH RETURN, FULLERPHONE CIRCUIT.

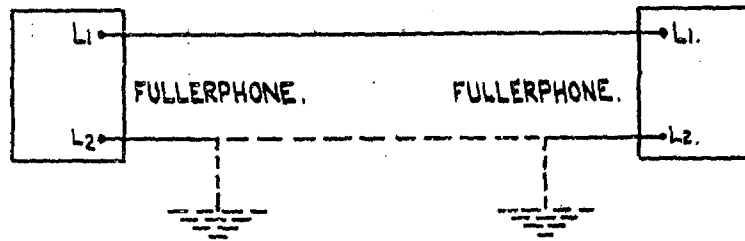


FIG. 3.—SIMPLE SERIES SUPERPOSED CIRCUIT, TWO FULLERPHONES IN SERIES WITH TWO TELEPHONES.

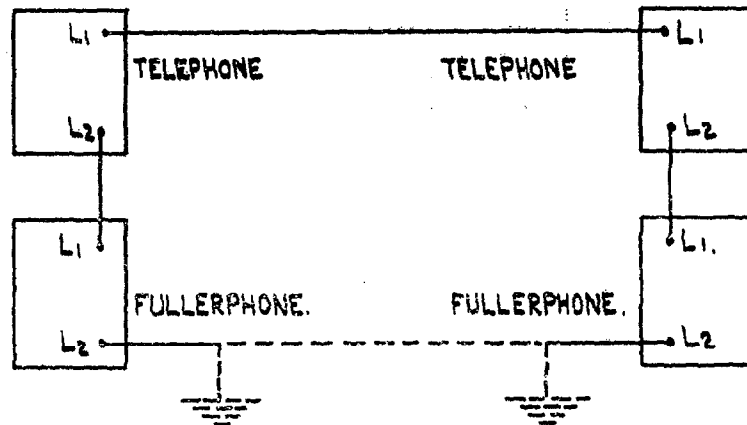


FIG. 4.—SERIES FULLERPHONE SUPERPOSED ON TWIN LINE TELEPHONE CIRCUIT, OR SINGLE LINE AND EARTH TELEPHONE CIRCUIT.

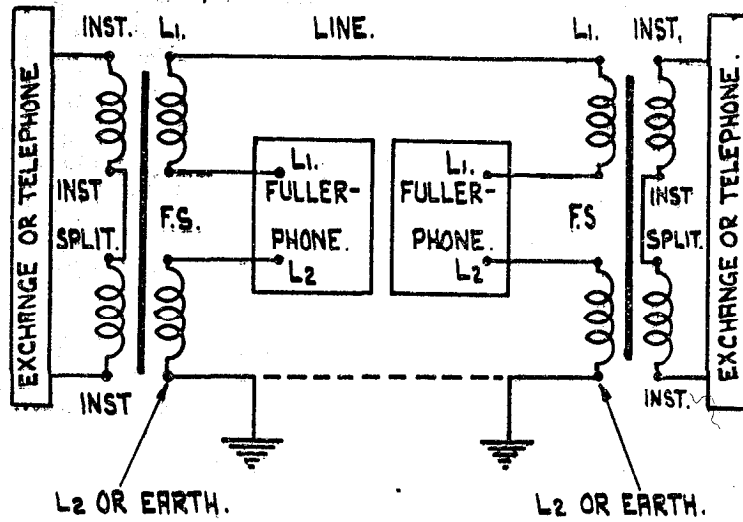


FIG. 5.—PHANTOM TO EARTH FULLERPHONE CIRCUIT SUPERPOSED ON A TWIN LINE.

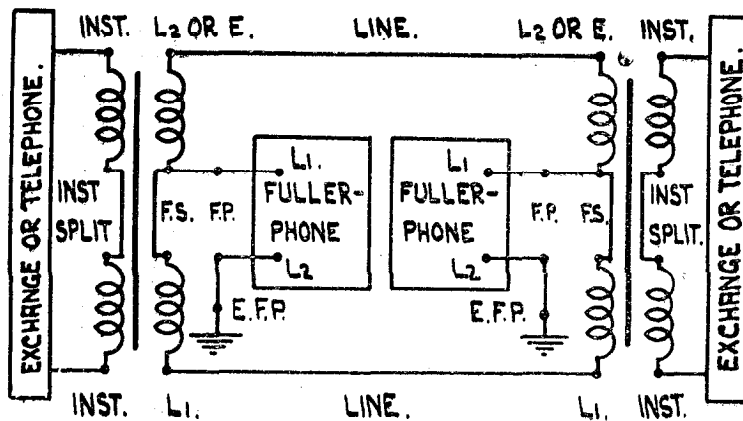


FIG. 6.—PHANTOM FULLERPHONE CIRCUIT SUPERPOSE ON TWO TWIN LINES.

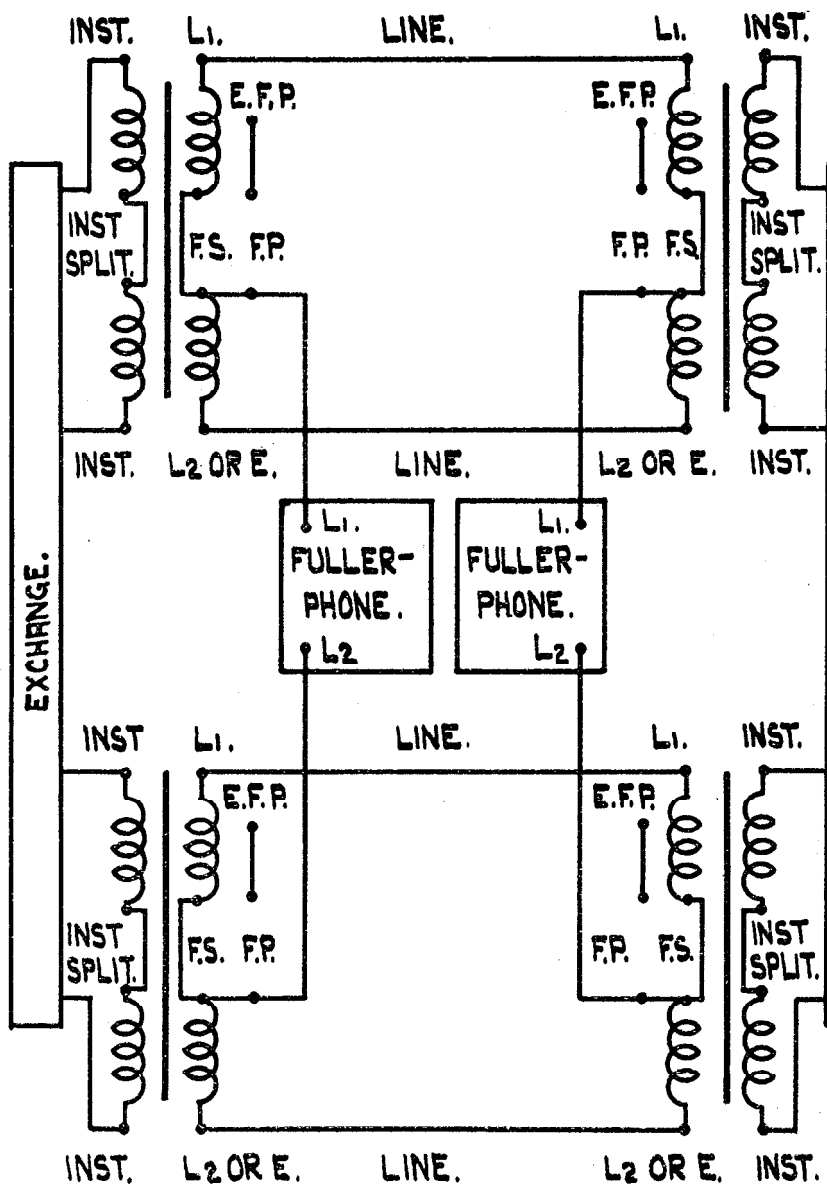


FIG. 7.—DEVELOPMENT OF PHANTOM PAIR ARRANGEMENT—ONE FULLERPHONE PHANTOM TO EARTH CIRCUIT AND ONE PHANTOM TELEPHONE CIRCUIT SUPERPOSED ON TWO TWIN LINES.

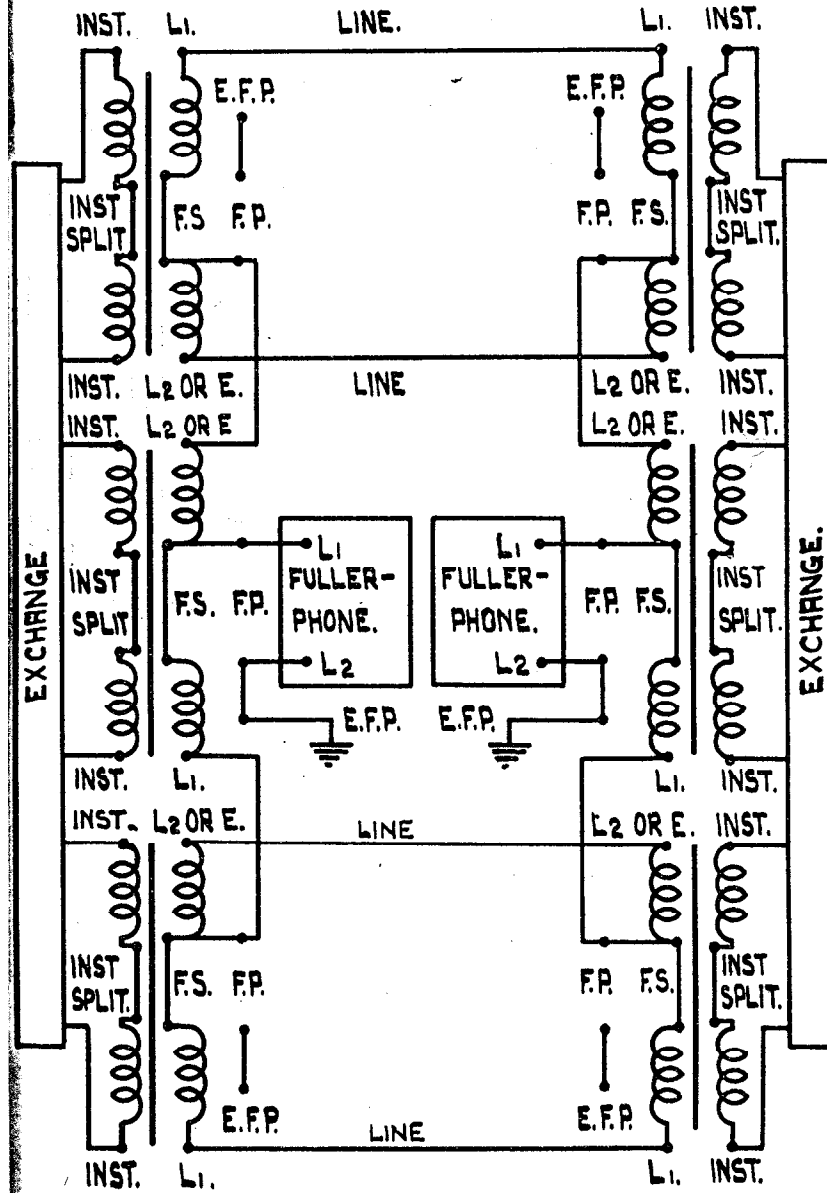


FIG. 8.—INTERMEDIATE FULLERPHONE CIRCUIT SUPERPOSED ON A TWIN LINE AND EARTH.

