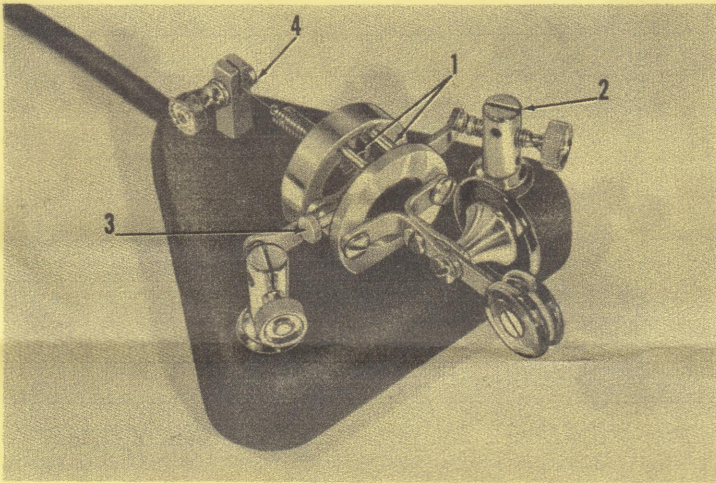
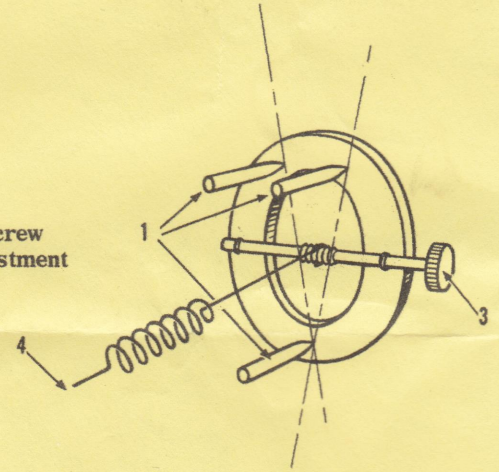


NEW Key Design Gives That "Smooth-As-Silk" Feel



1. Pivots
2. Split Contact posts
3. Dot-to-dash ratio screw
4. Spring tension adjustment



Instant response to the lightest touch is the secret of effortless sending. This is accomplished in the **FYO KEY** by the use of light weight moving parts and frictionless pivot bearings that impart "feel" and "smoothness." The heavier the moving parts the greater the effort required. The entire moving part assembly on the **FYO KEY** weighs about 1 oz. It can be set so sensitive that blowing your breath on the finger knobs will cause it to make contact.

MOVING PARTS SUSPENDED ON PIVOTS . . .

The above drawing clearly shows the principle on which the **FYO KEY** operates. As you will notice, the key does not have the conventional type bearings but is suspended by the spring on 3 hard pivots. This forms a permanent "no play" bearing and, for all practical purposes, is frictionless. The pivots are set to the sockets very accurately and then lapped and will center to within a few ten thousands of an inch.

SINGLE SPRING TENSION ADJUSTMENT . . .

A single spring adjustment is made possible with a "dot-to-dash tension ratio" adjusting screw. As you will see from the drawing, the ratio adjusting screw moves the spring between the axis that the moving parts pivot on and divides the spring tension to the desired ratio. Turning the screw counter-clockwise moves the spring to the left, increasing the dot tension and, at the same time, decreasing the dash tension (inverse ratio). Once the screw is set to the desired position, it need not be moved again and will maintain the ratio for any spring tension setting.

Shipping Weight: 4 lbs.

No C.O.D. please. Include sufficient postage with your order. Any excess money will be returned. Maximum postage in continental U.S. is \$1.25.

Patent apld. for

SPLIT CONTACT POSTS . . .

The split contact posts make adjusting the contacts easy by taking all the play out of the threads and eliminates the need of a locknut. The Allen screw is set to cause enough friction for the screw to stay where you set it. The Allen screws need not be tightened any more after you have the contacts set.

FINGER KNOB ADJUSTABLE FOR DESIRED HEIGHT . . .

Unscrewing the large finger knob allows you to adjust the arm for any desired height. Three foot shielded cord attached.

PRECISION MADE OF QUALITY MATERIALS . . .

Solid silver contacts, heavy base, contrasting bright and satin chrome finish, hardened and lapped pivots and sockets all add up to a quality product with a smoothness that will make it a pleasure to operate.

J. A. HILLS, W8FYO
8165 Inwood Avenue
Dayton 15, Ohio

Please ship the following:

___ FYO Keys @ \$24.75 ___

___ 3-circuit Plugs @ \$.65 ___

Ohio residents add 3% tax ___

Postage ___

I enclose \$ ___ Check M.O.